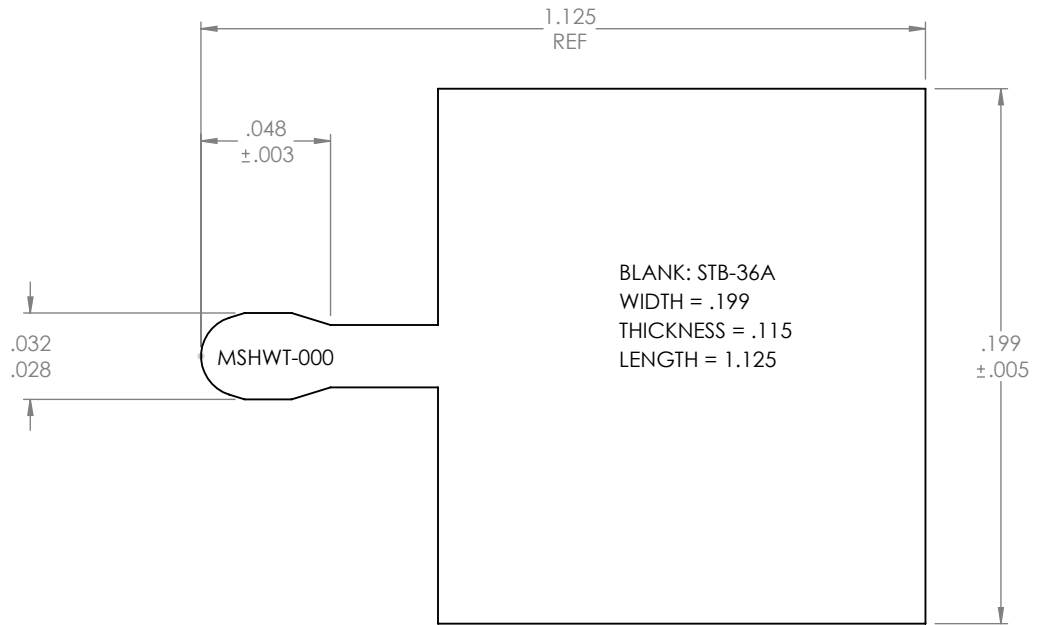
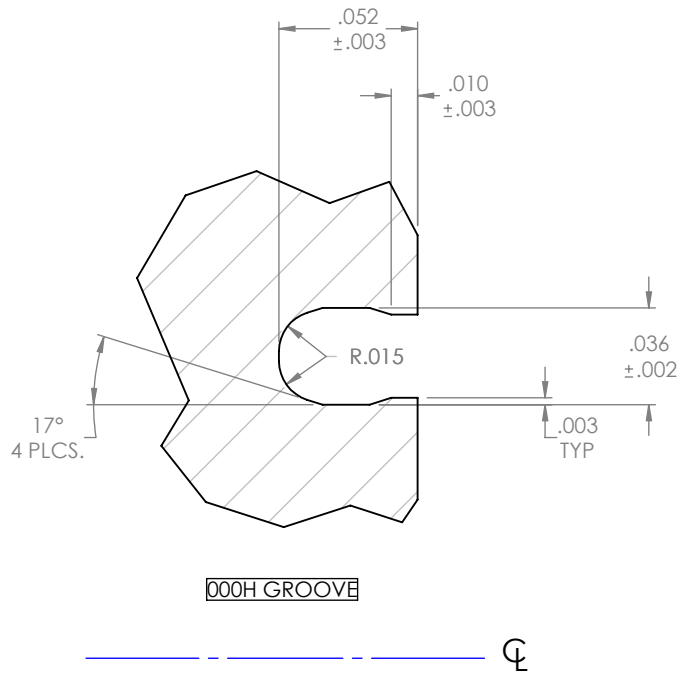


APPLICATION CONDITIONS	MIN.	NOM.	MAX.
TEMPERATURE (°F)			
PRESSURE (PSI)			
SPEED (SFPS)			
STROKE LENGTH (IN)			
CYCLE RATE (CYL/SEC)			
MEDIA			

BILL OF MATERIALS				
ITEM	QTY	PART#	MATERIAL	DESCRIPTION

REVISIONS				
ZONE	REV.	DESCRIPTION	DATE	ECN #
2	A	ADDED BLANK NUMBER AND DIMENSIONS	1/31/2019	9131



BLANK: STB-36A
 WIDTH = .199
 THICKNESS = .115
 LENGTH = 1.125

PROPRIETARY AND CONFIDENTIAL
 THE INFORMATION CONTAINED IN THIS DRAWING IS THE SOLE PROPERTY OF MW INDUSTRIES, INC. ANY REPRODUCTION IN PART OR AS A WHOLE WITHOUT THE WRITTEN PERMISSION OF MW INDUSTRIES, INC IS PROHIBITED.

UNLESS OTHERWISE SPECIFIED:	NAME	DATE
DIMENSIONS ARE IN INCHES	DRAWN	L. DOUGLAS 12/1/17
TOLERANCES:	MFG REVIEW	
FRACTIONAL ± 1/16"	ENG APPR.	12/1/17
ANGULAR: ± .5°		
TWO PLACE DECIMAL ±.01		
THREE PLACE DECIMAL ±.005		
JACKET MATERIAL:	COMMENTS:	
SPRING TYPE: 000 HELICAL		
O-RING:		
DO NOT SCALE DRAWING		



TITLE:
 GENERAL ARRANGEMENT
 000 HELICAL SPRING
 GROOVE AND TOOL

SIZE A	DWG. NO. MSHWT-000_web	REV A
------------------	---------------------------	-----------------

SCALE: NTS SHEET 1 OF 1