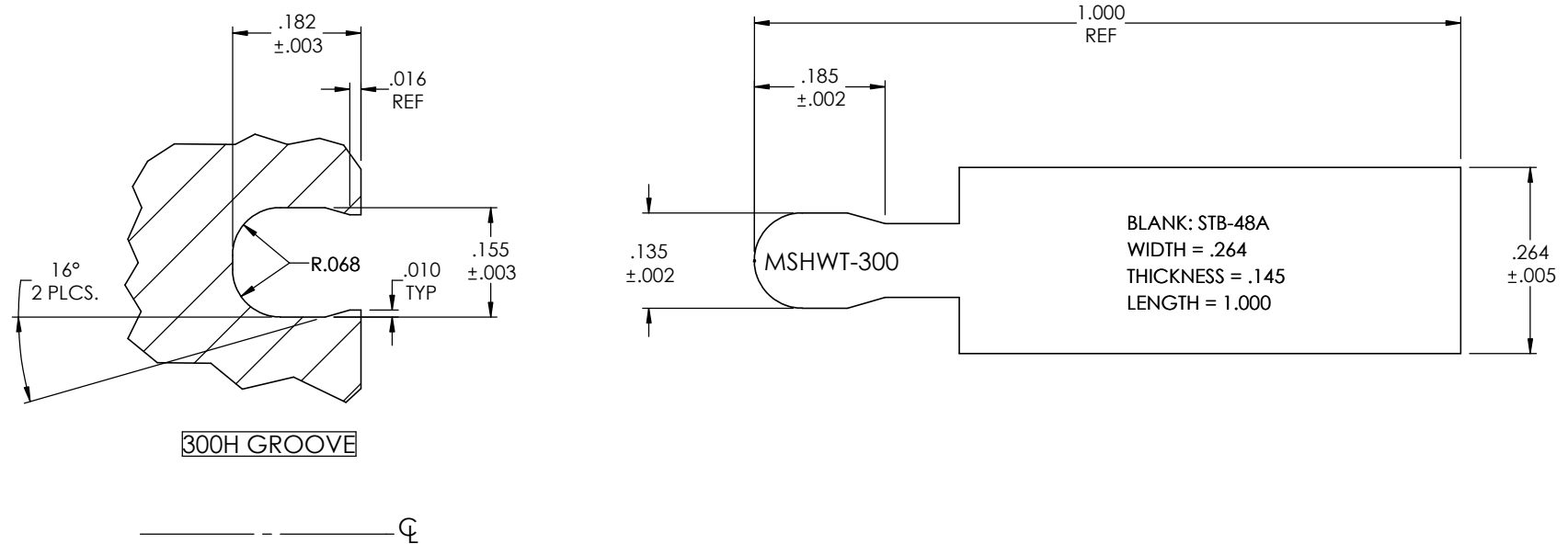


APPLICATION CONDITIONS	MIN.	NOM.	MAX.
TEMPERATURE (°F)			
PRESSURE (PSI)			
SPEED (SFPS)			
STROKE LENGTH (IN)			
CYCLE RATE (CYL/SEC)			
MEDIA			

BILL OF MATERIALS				
ITEM	QTY	PART#	MATERIAL	DESCRIPTION

REVISIONS				
ZONE	REV.	DESCRIPTION	DATE	ECN #



UNLESS OTHERWISE SPECIFIED: DIMENSIONS ARE IN INCHES TOLERANCES: FRACTIONAL ± 1/16" ANGULAR: ± .5° TWO PLACE DECIMAL ±.01 THREE PLACE DECIMAL ±.005	DRAWN	L. DOUGLAS	12/6/17
	MFG REVIEW		
	ENG APPR.		12/6/17
	JACKET MATERIAL:	COMMENTS:	
SPRING TYPE:	300 HELICAL		
O-RING:			
DO NOT SCALE DRAWING			

**PROPRIETARY AND CONFIDENTIAL**  
THE INFORMATION CONTAINED IN THIS DRAWING IS THE SOLE PROPERTY OF MW INDUSTRIES, INC. ANY REPRODUCTION IN PART OR AS A WHOLE WITHOUT THE WRITTEN PERMISSION OF MW INDUSTRIES, INC IS PROHIBITED.



TITLE: GENERAL ARRANGEMENT 300 HELICAL SPRING GROOVE AND TOOL		
SIZE <b>A</b>	DWG. NO. MSHWT-300_web	REV
SCALE: NTS		SHEET 1 OF 1