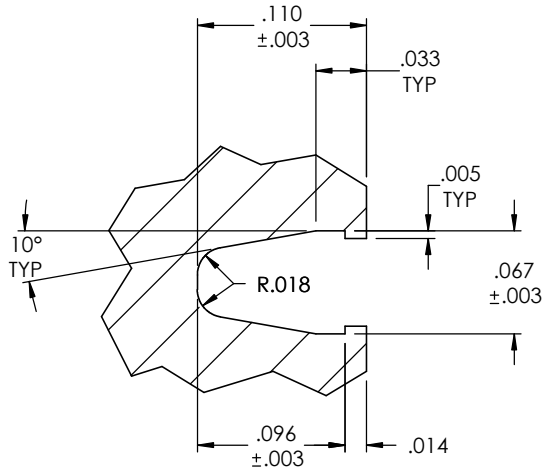


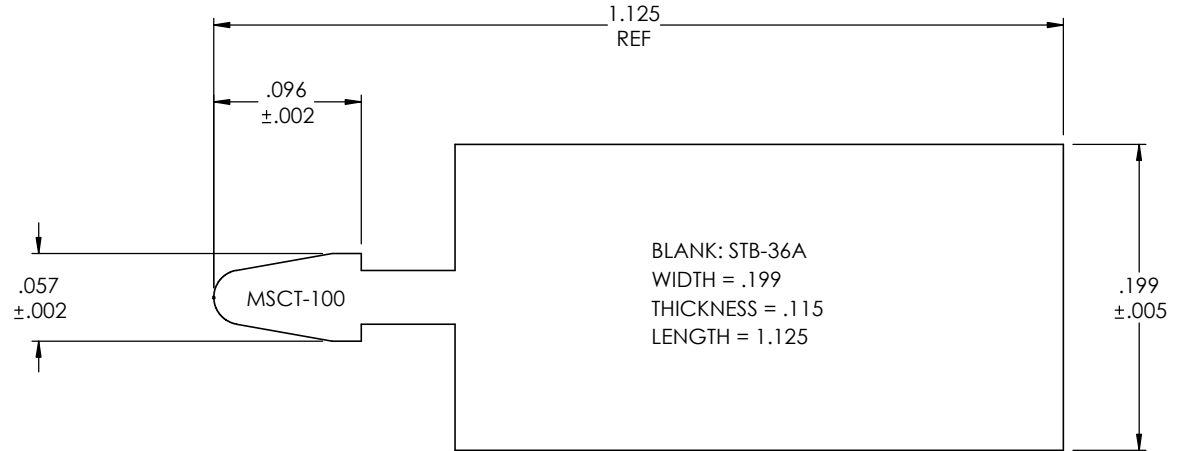
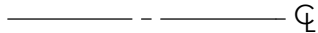
APPLICATION CONDITIONS	MIN.	NOM.	MAX.
TEMPERATURE (°F)			
PRESSURE (PSI)			
SPEED (SFPS)			
STROKE LENGTH (IN)			
CYCLE RATE (CYL/SEC)			
MEDIA			

BILL OF MATERIALS				
ITEM	QTY	PART#	MATERIAL	DESCRIPTION

REVISIONS				
ZONE	REV.	DESCRIPTION	DATE	ECN #



100V GROOVE



PROPRIETARY AND CONFIDENTIAL
 THE INFORMATION CONTAINED IN THIS DRAWING IS THE SOLE PROPERTY OF MW INDUSTRIES, INC. ANY REPRODUCTION IN PART OR AS A WHOLE WITHOUT THE WRITTEN PERMISSION OF MW INDUSTRIES, INC IS PROHIBITED.

UNLESS OTHERWISE SPECIFIED:		NAME	DATE	 MAUDLIN PRODUCTS. MW Industries, Inc.	
DIMENSIONS ARE IN INCHES		DRAWN	L. DOUGLAS		2/8/18
TOLERANCES:		MFG REVIEW			
FRACTIONAL ± 1/16"		ENG APPR.			2/8/18
ANGULAR: ± .5°				TITLE: GENERAL ARRANGEMENT 100 V-SPRING GROOVE AND TOOL	
TWO PLACE DECIMAL ±.01					
THREE PLACE DECIMAL ±.005					
JACKET MATERIAL:	COMMENTS:			SIZE A DWG. NO. MSCT-100_web REV	
SPRING TYPE: 100 V-SPRING				SCALE: NTS SHEET 1 OF 1	
O-RING:					
DO NOT SCALE DRAWING					