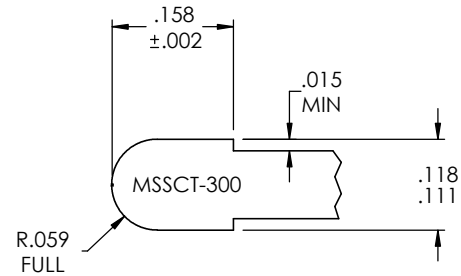
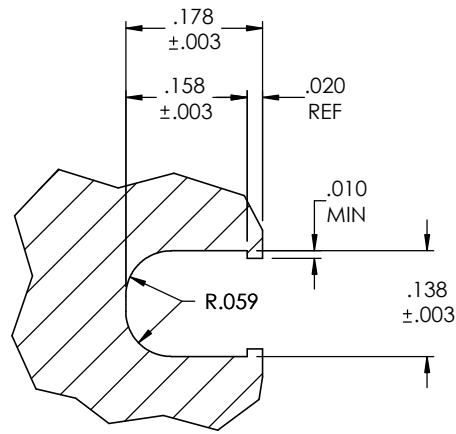


APPLICATION CONDITIONS	MIN.	NOM.	MAX.
TEMPERATURE (°F)			
PRESSURE (PSI)			
SPEED (SFPS)			
STROKE LENGTH (IN)			
CYCLE RATE (CYL/SEC)			
MEDIA			

BILL OF MATERIALS				
ITEM	QTY	PART#	MATERIAL	DESCRIPTION

REVISIONS				
ZONE	REV.	DESCRIPTION	DATE	ECN #



300S GROOVE

----- φ

UNLESS OTHERWISE SPECIFIED:

DIMENSIONS ARE IN INCHES
 TOLERANCES:
 FRACTIONAL ± 1/16"
 ANGULAR: ± .5°
 TWO PLACE DECIMAL ±.01
 THREE PLACE DECIMAL ±.005

JACKET MATERIAL:

SPRING TYPE:
 300 SLANT COIL

O-RING:

DO NOT SCALE DRAWING

	NAME	DATE
DRAWN	L. DOUGLAS	1/9/18
MFG REVIEW		
ENG APPR.	<i>[Signature]</i>	1/9/18

COMMENTS:



TITLE:
 GENERAL ARRANGEMENT
 300 SLANT COIL SPRING
 GROOVE AND TOOL

SIZE	DWG. NO.	REV
A	MSSCT-300	

SCALE: NTS SHEET 1 OF 1

PROPRIETARY AND CONFIDENTIAL
 THE INFORMATION CONTAINED IN THIS
 DRAWING IS THE SOLE PROPERTY OF
 MW INDUSTRIES, INC. ANY
 REPRODUCTION IN PART OR AS A WHOLE
 WITHOUT THE WRITTEN PERMISSION OF
 MW INDUSTRIES, INC IS PROHIBITED.