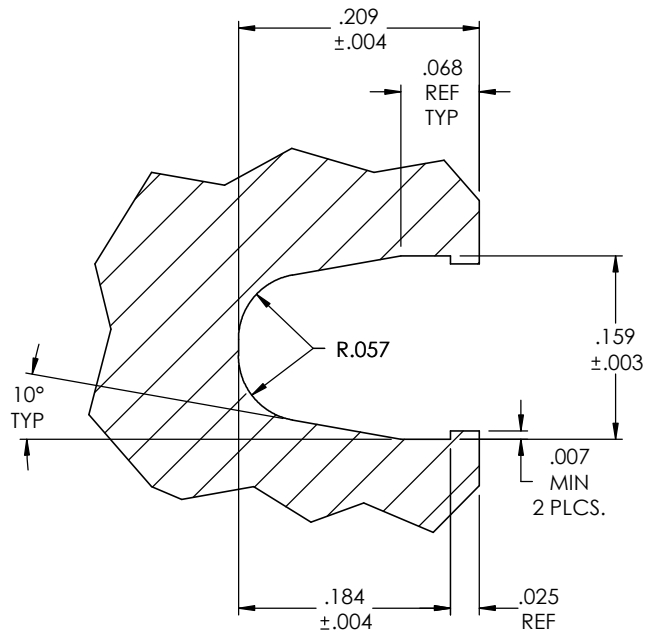


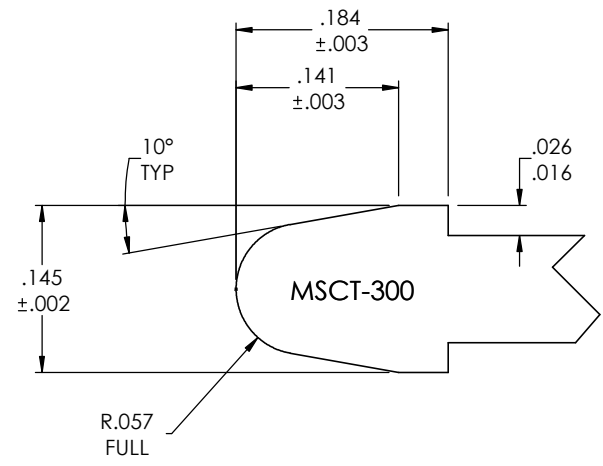
APPLICATION CONDITIONS	MIN.	NOM.	MAX.
TEMPERATURE (°F)			
PRESSURE (PSI)			
SPEED (SFPS)			
STROKE LENGTH (IN)			
CYCLE RATE (CYL/SEC)			
MEDIA			

BILL OF MATERIALS				
ITEM	QTY	PART#	MATERIAL	DESCRIPTION

REVISIONS				
ZONE	REV.	DESCRIPTION	DATE	ECN #



300V GROOVE



UNLESS OTHERWISE SPECIFIED:		NAME	DATE	 MAUDLIN PRODUCTS. MW Industries, Inc.	
DIMENSIONS ARE IN INCHES		DRAWN	L. DOUGLAS		11/28/17
TOLERANCES:		MFG REVIEW			
FRACTIONAL ± 1/16"		ENG APPR.	[Signature]		11/28/17
ANGULAR: ± .5°				TITLE: GENERAL ARRANGEMENT 300 V-SPRING GROOVE AND TOOL	
TWO PLACE DECIMAL ±.01					
THREE PLACE DECIMAL ±.005					
JACKET MATERIAL:		COMMENTS:			
PROPRIETARY AND CONFIDENTIAL THE INFORMATION CONTAINED IN THIS DRAWING IS THE SOLE PROPERTY OF MW INDUSTRIES, INC. ANY REPRODUCTION IN PART OR AS A WHOLE WITHOUT THE WRITTEN PERMISSION OF MW INDUSTRIES, INC IS PROHIBITED.		SPRING TYPE: 300 V-SPRING		SIZE A	
O-RING:				DWG. NO. MSCT-300	
DO NOT SCALE DRAWING				REV 	
		SCALE: NTS		SHEET 1 OF 1	